

10/100Base-TX  
Transformer Module

Part Number:

HR604009

Electrical Specification @25°C

Isolation: 1500Vrms (Primary to Secondary)

OCL: 350uH Minimum @100KHz 100mV with 8mADC

Insertion Loss: -1.0dB Maximum @100KHz ~ 100MHz

Return Loss: -18dB Minimum @2MHz ~ 30MHz / -14.4dB Minimum @40MHz

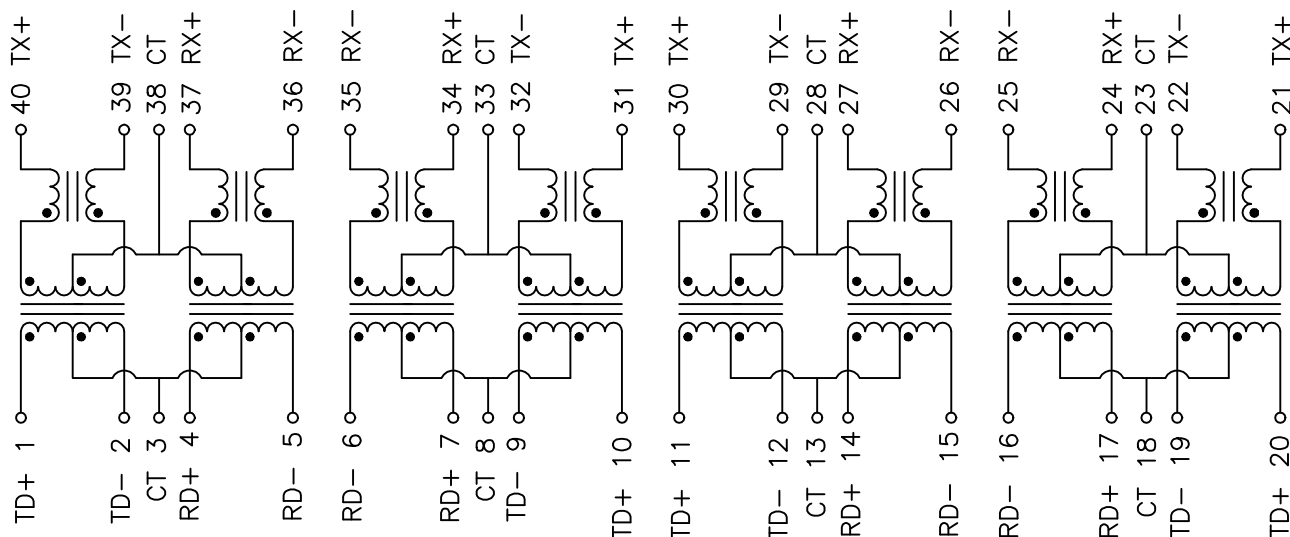
-13.1dB Minimum @50MHz / -12dB Minimum @60MHz ~ 80MHz

Different to Common Mode Rejection: -37dB Minimum @1MHz ~ 60MHz

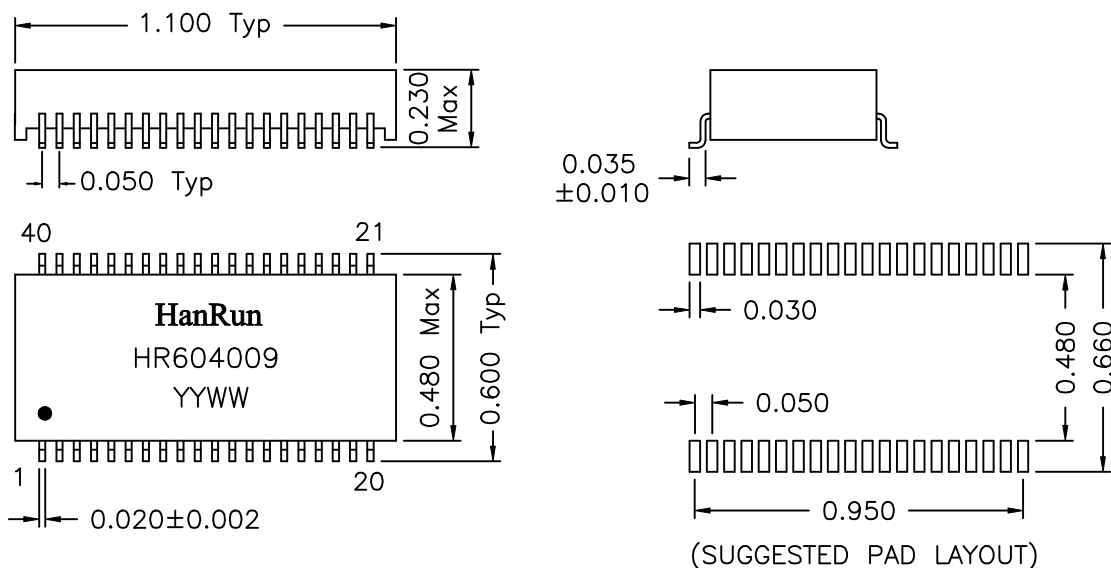
-25dB Minimum @60MHz ~ 200MHz

Crosstalk: -50dB Typical @1MHz ~ 30MHz / -35dB Typical @60MHz ~ 100MHz

Schematics



Mechanical Dimensions



Part No.: HR604009	Unless otherwise specified, Tolerance: .xxx ±0.010	Rev: A	DRWN:	Date:
Dimensions in inches		Page 1/1	APPD:	Date: