



Wide Input Voltage Range 10 Watt Dc-Dc Converter



FEATURES:

- 4:1 Wide Input Voltage.
- Recognized By UL 60950-1
- 10 Watt Package.
- Efficiency To 80%
- PI Input Filter.
- MTBF:>1,500,000 hrs
- 1500Vdc Isolation
- Operating Temp:-40°C TO +100°C



Specifications typical at TA=25°C, nominal input voltage and rated output current unless otherwise specified

Part Number	Input Voltage	Input Current		Output Voltage	Output Current	Efficiency	Capacitor Load
	Vdc	No-Load (mA TYP)	Full Load (mA TYP)	Vdc	Full Load(mA)	%TYP	uF TYP
61DW-24S05RNL	9-36	25	508	5	2000	82	3300
61DW-24S09RNL	9-36	25	502	9	1111	83	680
61DW-24S12RNL	9-36	25	490	12	833	85	680
61DW-24S15RNL	9-36	25	490	15	666	85	470
61DW-24D05RNL	9-36	25	508	±5	±1000	82	±2200
61DW-24D09RNL	9-36	25	502	±9	±555	83	±470
61DW-24D12RNL	9-36	25	490	±12	±416	85	±470
61DW-24D15RNL	9-36	25	490	±15	±333	85	±330
61DW-48S05RNL	18-72	20	254	5	2000	82	1000
61DW-48S09RNL	18-72	20	251	9	1111	83	680
61DW-48S12RNL	18-72	20	245	12	833	85	680
61DW-48S15RNL	18-72	20	245	15	666	85	470
61DW-48D05RNL	18-72	20	254	±5	±1000	82	±2200
61DW-48D09RNL	18-72	20	251	±9	±555	83	±470
61DW-48D12RNL	18-72	20	245	±12	±416	85	±470
61DW-48D15RNL	18-72	20	245	±15	±333	85	±330

Input Specifications

Parameters	Conditions	Min	Typ	Max	Units
Voltage Types				4:1	
Filter	Pi TYPE				

Output Specifications

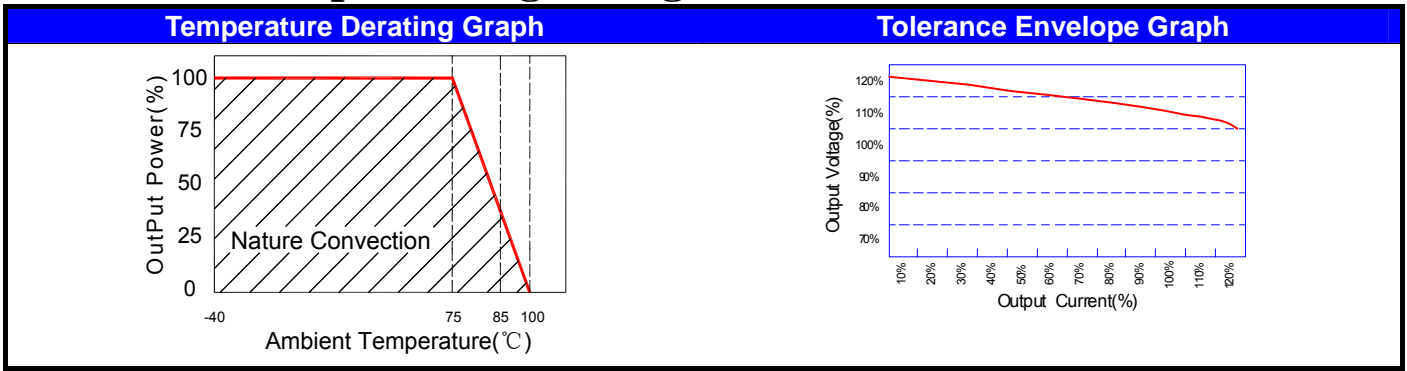
Parameters	Conditions	Min	Typ	Max	Units
Voltage Tolerance				±2	%
Short Circuit Protection	Continuous				
Line Regulation				±0.5	%
Load Regulation	SINGLE(25% to 100%)			±0.5	%
Load Regulation	DUAL			±2.0	%
Ripple & Noise	BW=DC To 20MHz			100	mVp-p
Transient response setting time	50% load step change		350		us

General Specifications

Parameters	Conditions	Min	Typ	Max	Units
Isolation Resistance	500Vdc	1000			MΩ
Switching Frequency			300		KHz
Operating Temperature		-40		100	°C
Humidity	Non Condensing			95	%
Cooling	Free air Convection				
Case material	Nickel Coated With Non-Conductive Base or Black Coated Copper With Non-Conductive Base				
Weight			36.5		g
Dimensions			50.8x25.4x10.2		mm
Potting Material			Epoxy (UL94V-0 rated)		
Radiated Emissions	EN55022		CLASS A		
Conducted Emissions	EN55022		CLASS A		



Wide Input Voltage Range 10 Watt Dc-Dc Converter

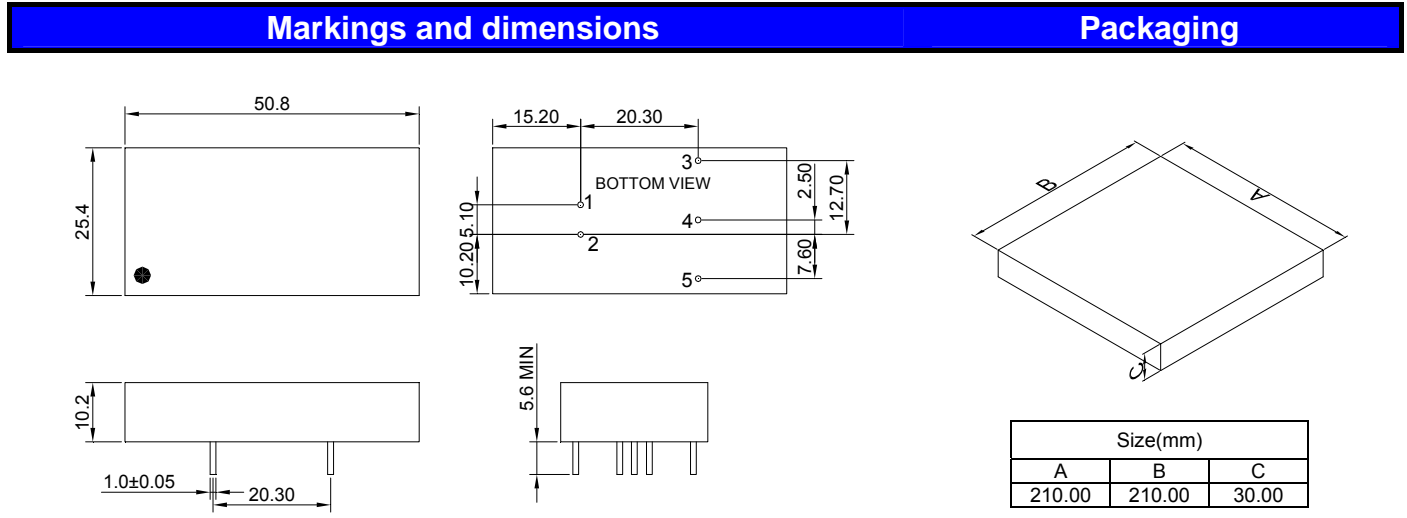
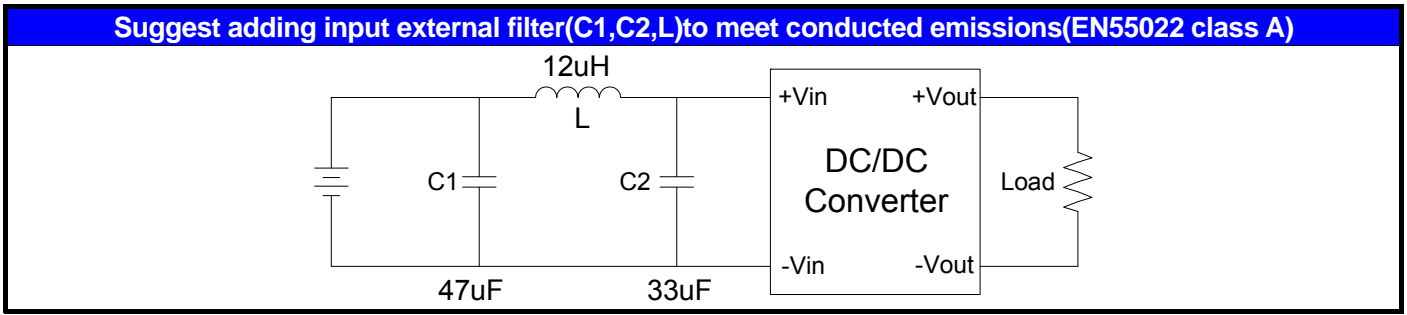


Recommended Test Circuit

Part Number

61DW	-	24	S	05	R	NL
A	B	C	D	E	F	

A:Series
 B:Input Voltage
 C:Single(S)Dual(D)
 D:Output Voltage
 E:Regulated(R)
 F:RoHS Version



UNIT:mm XX.X±0.5 XX.XX±0.25

PIN Connection

PIN	1	2	3	4	5
SINGLE	+Vin	-Vin	+Vout	NO PIN	-Vout
DUAL	+Vin	-Vin	+Vout	COM	-Vout